

Parallel Programming with Pthread

Loic Guegan loic.guegan@uit.no

September 11, 2023

UiT The Arctic University of Norway



What is Pthread?

1. What is a thread?

- *Schedulable set of instructions*
- Created by a process
- **Shared** virtual memory

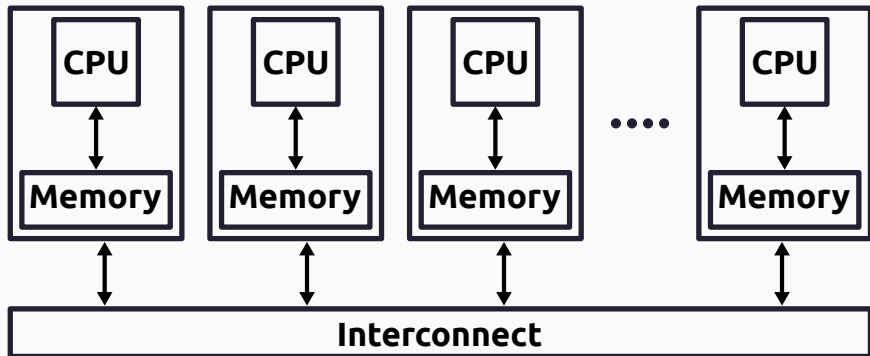
2. What is a Pthread?

- Library for creating/managing threads

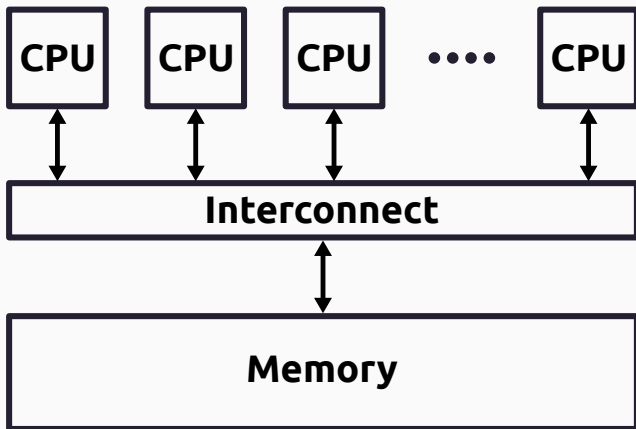
3. Why **P**thread?

- **POSIX** thread
- ↑ interoperability

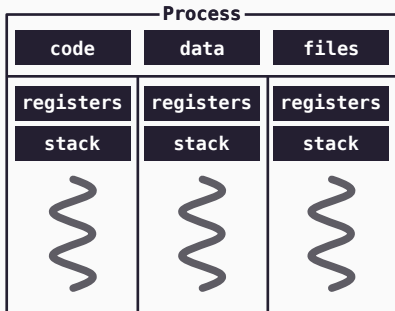
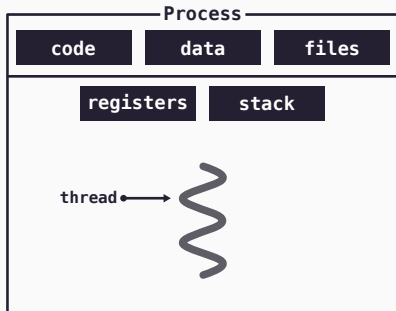
Distributed memory



Shared memory



Thread overview



How to use Pthread

How to use Pthread

1. **Creation:**

```
pthread_create()
```

How to use Pthread

1. **Creation:**

```
pthread_create()
```

2. **Management/Termination:**

```
pthread_join()
```


How to use Pthread

1. **Creation:**

```
pthread_create()
```

2. **Management/Termination:**

```
pthread_join()
```

3. **That's it**